

REGISTRY OF RADIOACTIVE SELED SOURCES AND DEVICES
SAFETY EVALUATION OF SEALED SOURCE

NO.: NR-0155-S-803-S DATE: May 13, 2011
(Supersedes NR-0155-S-103-S)

PAGE: 2 of 2

SOURCE TYPE: Radioluminous Lamp

DIAGRAM:

See Attachments 1 through 4.

REFERENCES:

The following supporting documents for the Model 10556228 radioluminous lamp are hereby incorporated by reference and are made a part of this registry document.

- Department of the Army letter dated March 20, 1995, requesting changes to specific certificates, and letters dated January 22, 2001, May 23, 2001, and March 24, 2004, with enclosures thereto.
- Department of the Army email received September 23, 2005, with enclosures thereto.
- Department: of the Army facsimile dated December 12, 2005, with enclosures thereto.
- U.S. Department of the Army License No. 12-00722-06.
- Department of the Army letter dated March 2, 20011, with enclosures thereto.

ISSUING AGENCY:

U.S. Nuclear Regulatory Commission

Date: May 13, 2011

Reviewer:


Lymari Sepulveda

Date: May 13, 2011

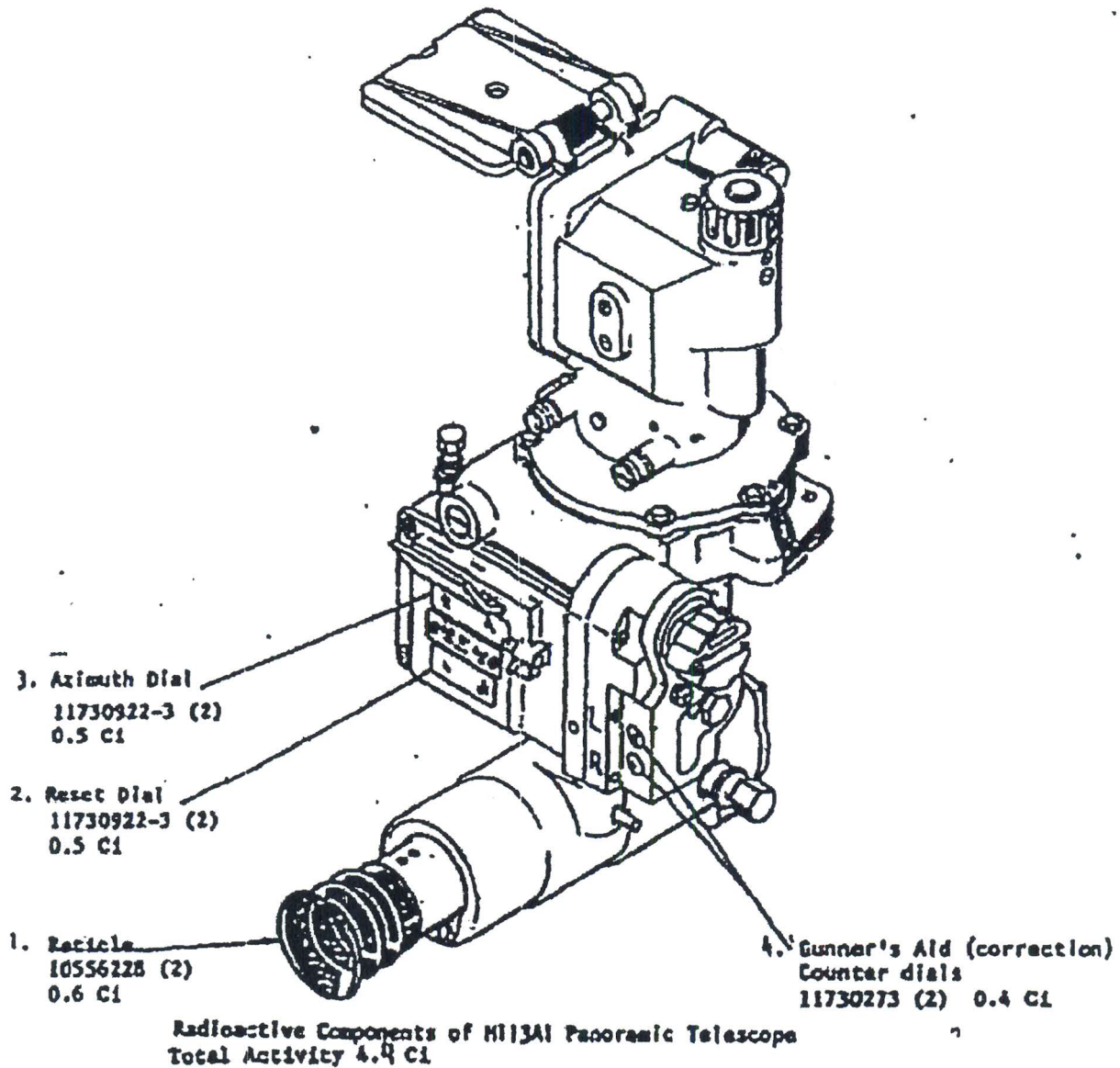
Concurrence:


John P. Jankovich

REGISTRY OF RADIOACTIVE SEALED SOURCES AND DEVICES
SAFETY EVALUATION OF SEALED SOURCE

NO.: NR-0155-S-803-S DATE: May 13, 2011
(Supersedes NR-0155-S-103-S)

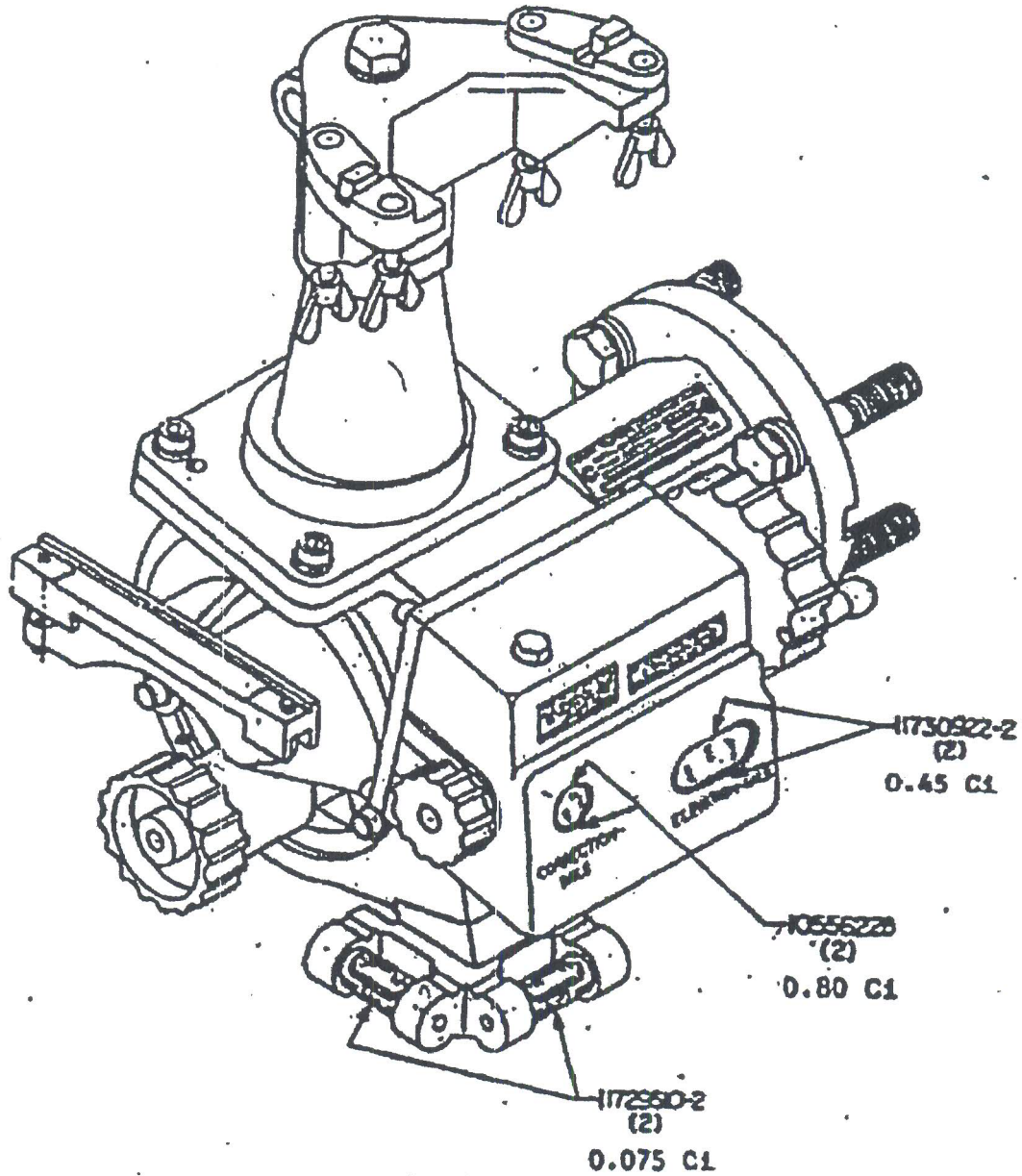
ATTACHMENT: 2 OF 4



REGISTRY OF RADIOACTIVE SEALED SOURCES AND DEVICES
SAFETY EVALUATION OF SEALED SOURCE

NO.: NR-0155-S-803-S DATE: May 13, 2011
(Supersedes NR-0155-S-103-S)

ATTACHMENT: 3 OF 4

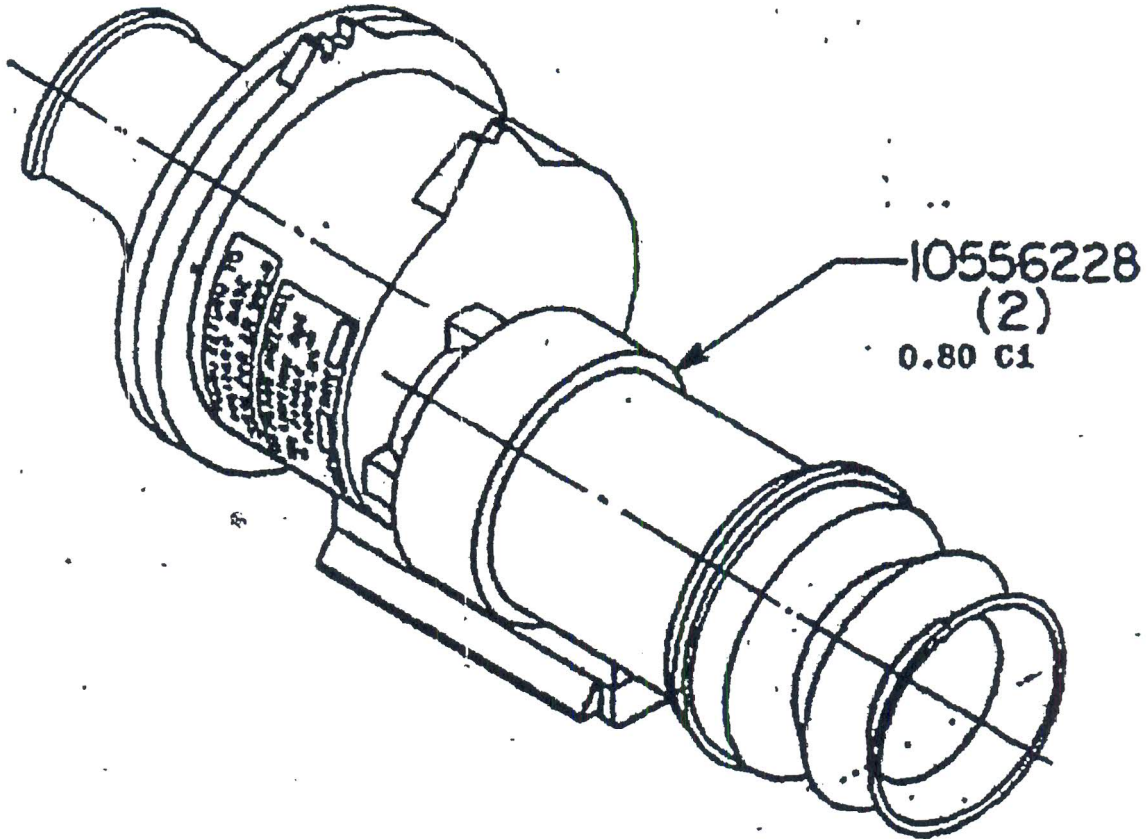


2187
MOUNT, TELESCOPE, AND QUADRANT FN-12589166
Total Activity 2.65 Ci

REGISTRY OF RADIOACTIVE SEALED SOURCES AND DEVICES
SAFETY EVALUATION OF SEALED SOURCE

NO.: NR-0155-S-803-S DATE: May 13, 2011
(Supersedes NR-0155-S-103-S)

ATTACHMENT: 4 OF 4



M90A2

TELESCOPE, STRAIGHT: PN 12599180

Total Activity 1.60 Ci